

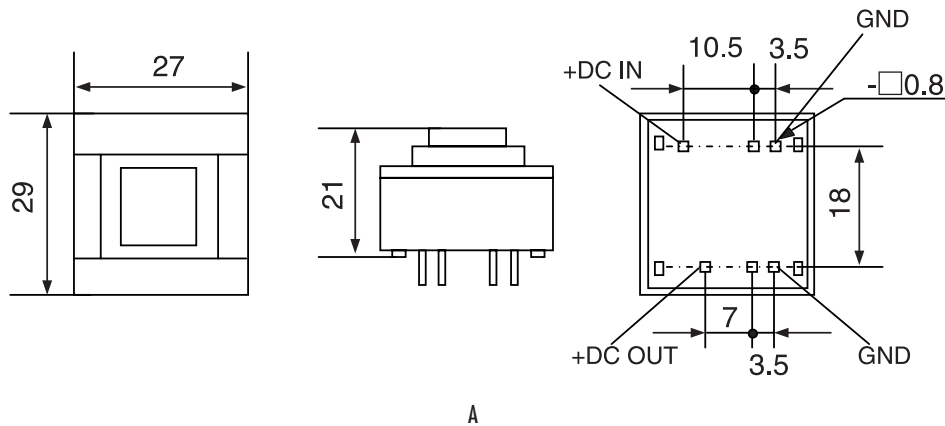
Micro Power Module

For Standby, Inverter Control & DC/DC Power Supplies



- Approved to UL/CSA
- Excellent Thermal Management
- Vacuum Potted Design for Reliability and Durability
- Short Circuit and Thermal Protection
- Compact Space Saving Design
- Reinforced Insulation = 3.5kV (Pri:Sec)

Part #	Input Voltage (VDC)	Output Ratings		Output Frequency (kHz)	Fig.
		VDC	mAmps		
uRM0520	120-375	5	400	44	A
uRM0530	120-375	5	600	130	A
uRM0550	120-375	5	1000	130	B
uRM0620	120-375	6	340	44	A
uRM0630	120-375	6	500	130	A
uRM0650	120-375	6	840	130	B
uRM1230	120-375	12	250	130	B
uRM1250	120-375	12	420	130	B
uRM1530	120-375	15	200	130	B
uRM1550	120-375	15	340	130	B
uRM151276-1	120 - 170	12 & 15	450 & 150	130	B
uRM151276-2	220 - 390	12 & 15	450 & 150	130	B
uRM151567-W	170 - 390	15 & 15	150 & 300	130	B



A

TAMURA CORPORATION

43352 Business Park Drive. | P.O. Box 892230 Temecula, CA 92589-2230 | www.tamuracorp.com

USA

Tel: 800-872-6624
Fax: 909-676-9482

Japan

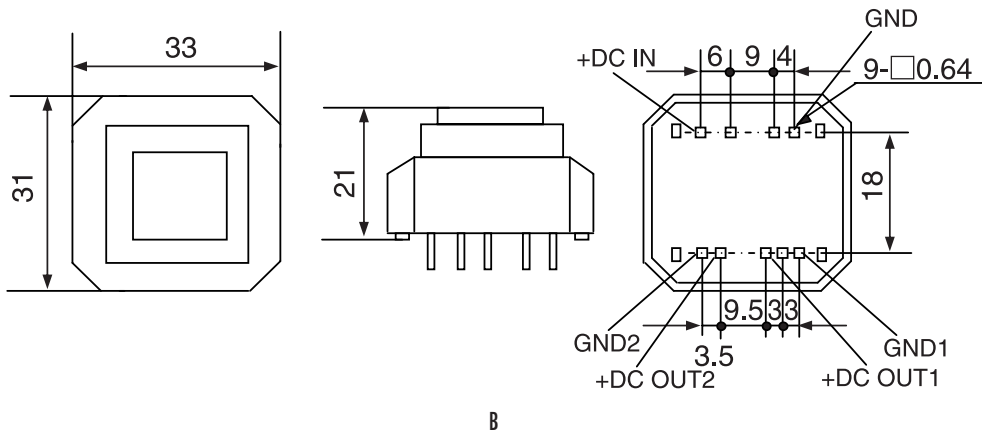
Tel: 81 (0)3 3978-2111
Fax: 81 (0)3 3923-0230

United Kingdom

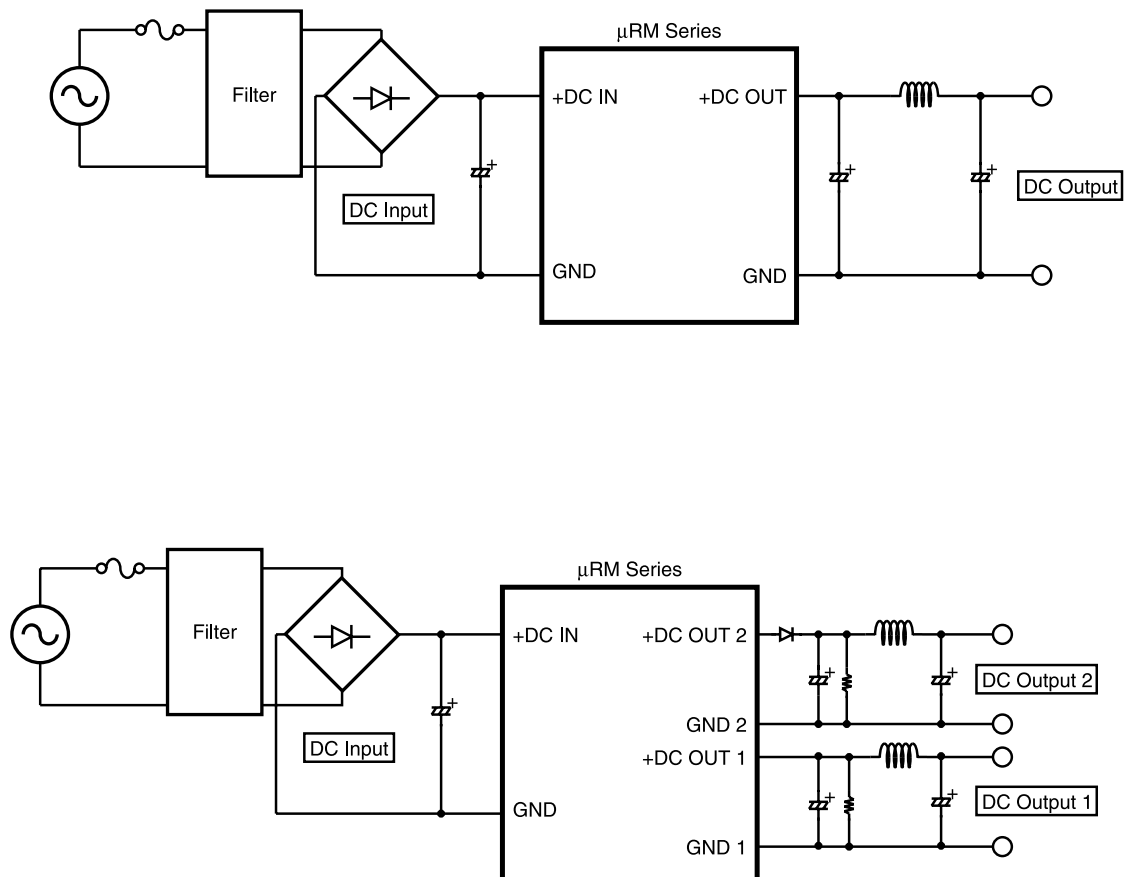
Tel: 44 (0) 1380 731 700
Fax: 44 (0) 1380 731 702

Hong Kong

Tel: 852-2389-4321
Fax: 852-2341-9689



Example Circuit



TAMURA CORPORATION

43352 Business Park Drive. | P.O. Box 892230 Temecula, CA 92589-2230 | www.tamuracorp.com
 USA | Japan | United Kingdom | Hong Kong
 Tel: 800-872-6624 | Tel: 81 (0)3 3978-2111 | Tel: 44 (0) 1380 731 700 | Tel: 852-2389-4321
 Fax: 909-676-9482 | Fax: 81 (0)3 3923-0230 | Fax: 44 (0) 1380 731 702 | Fax: 852-2341-9689