

RJ45 Integrated Connector

1X1 Gigabit LAN Modules



- Enhanced Common Mode Rejection Performance
- Complies with IEEE 802.3 Standards and ANSI X3.263
- Operating Temp -0°C to +70°C
- HiPot 1500Vrms (pri:sec)
- Designed for 350µH Min OCL with 8mA Bias Current

All Electrical Data Specified at Ta=-25° for all parts in this Series

Insertion Loss (dB Max)	Return Loss (dB Min)				CMRR (dB Min)	Crosstalk (dB Min)	OCL (µH Min)	HiPot (Vrms)	Impedance (Ω)
	1-100MHz	1-30MHz	60MHz	80MHz					
-1	-18	-16	-12	-10	-30	-30	350	1500	100

Product Selector

Part #	Turns Ratio (I:C:LINE)		Configuration ¹		Latch/Tab	LED Options	Schematic Diagram	Package Style	Package Dimensions mm(inches) Typ		
	Tx	Rx	Tx	Rx	Top				L	W	H
TIC-L041-11	1C:1CT	1C:1CT	C,T	T,C	UP	NO	1	A	25.53 (1.005)	16.8 (0.661)	13.5 (0.531)
TIC-L047-11³	1C:1	1C:1	A,C,T	A,C,T	UP	YES	2	B	32.9 (1.295)	16.69 (0.657)	13.73 (0.541)
TIC-L048-11	1C:1	1C:1	A,C,T	A,C,T	DOWN	YES	3	C	21.6 (1.295)	15.88 (0.625)	13.45 (0.530)

¹ C-Choke; T-Transformer; A-Auto Transformer

² Package and Weight information modifications below

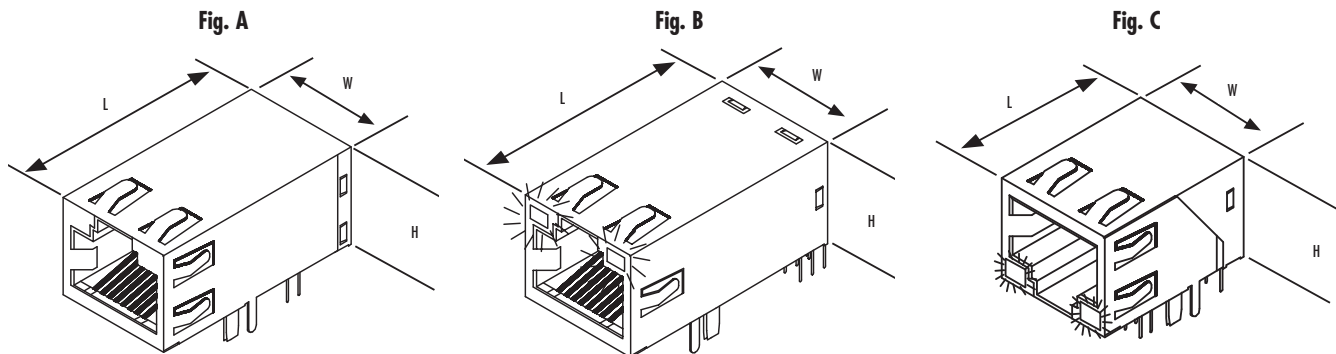
³ Minimum Crosstalk of -25dB from 1-100MHz

Package & Weight Information

Part #	QTY/Tray	QTY/Carlotn	Weight/each(g)
TIC-L041-11	50	250	7.2
TIC-L047-11 ³	40	240	10.6
TIC-L048-11	100	1000	6.3

Mechanical Dimensions

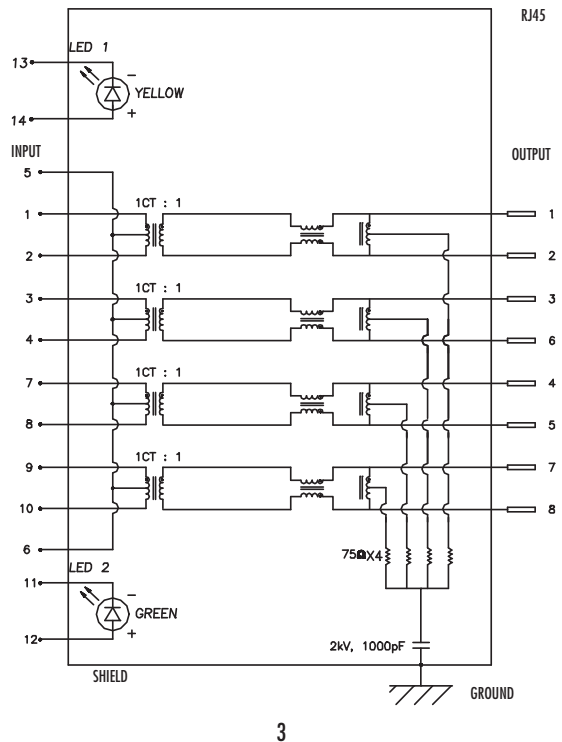
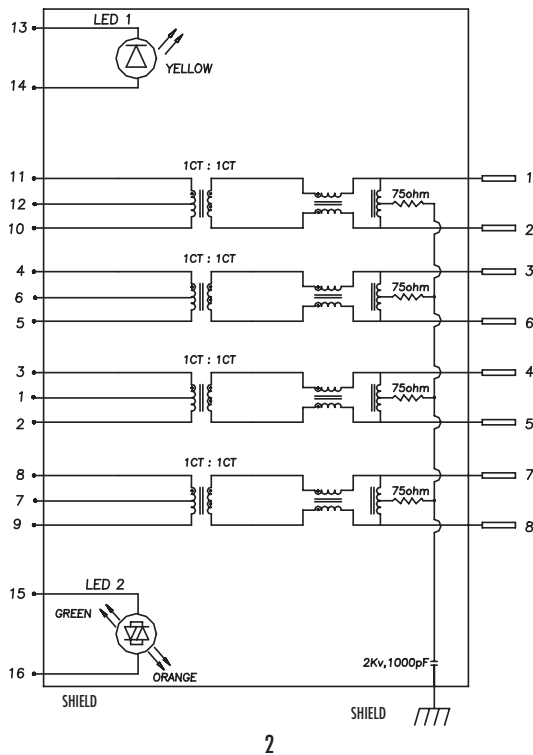
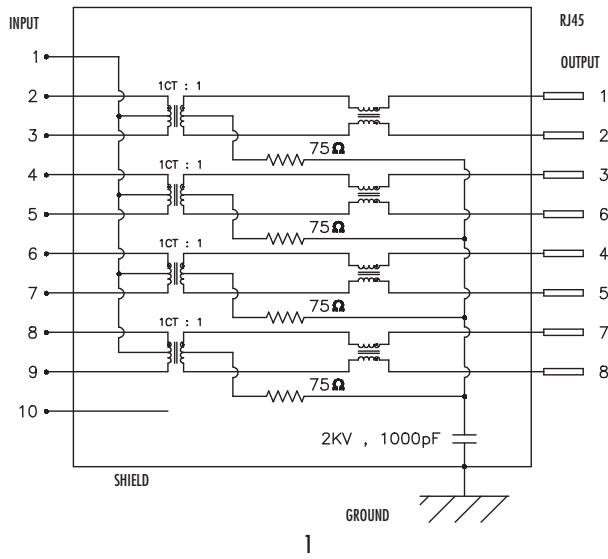
Please contact Tamura for tolerances and suggested layout information.



TAMURA CORPORATION

43352 Business Park Drive. | P.O. Box 892230 Temecula, CA 92589-2230 | www.tamuracorp.com
 USA | Japan | United Kingdom | Hong Kong
 Tel: 800-872-6624 | Tel: 81 (0)3 3978-2111 | Tel: 44 (0) 1380 731 700 | Tel: 852-2389-4321
 Fax: 909-676-9482 | Fax: 81 (0)3 3923-0230 | Fax: 44 (0) 1380 731 702 | Fax: 852-2341-9689

Schematics



TAMURA CORPORATION

43352 Business Park Drive. | P.O. Box 892230 Temecula, CA 92589-2230 | www.tamuracorp.com
 USA | Japan | United Kingdom | Hong Kong
 Tel: 800-872-6624 | Tel: 81 (0)3 3978-2111 | Tel: 44 (0) 1380 731 700 | Tel: 852-2389-4321
 Fax: 909-676-9482 | Fax: 81 (0)3 3923-0230 | Fax: 44 (0) 1380 731 702 | Fax: 852-2341-9689

RJ45 Integrated Connector

2X1 Gigabit LAN Modules



- Enhanced Common Mode Rejection Performance
- Complies with IEEE 802.3 Standards and ANSI X3.263
- Operating Temp 0°C to +85°C
- HiPot 1500Vrms (pri:sec)
- Designed for 350µH Min OCL with 8mA Bias Current

All Electrical Data Specified at Ta=-25° for all parts in this Series

Insertion Loss (dB Max)	Return Loss (dB Min)				CMRR (dB Min)	Crosstalk (dB Min)	OCL (µH Min)	HiPot (Vrms)	Impedance (Ω)
	1-100MHz	1-30MHz	60MHz	80MHz					
-1	-18	-16	-12	-10	-30	-25	350	1500	100

Product Selector

Part #	Turns Ratio (1C:LINE)		Configuration ¹		Latch/Tab		LED Options	Schematic Diagram	Package Style	Package Dimensions mm(inches) Typ		
	Tx	Rx	Tx	Rx	Top	Bottom				L	W	H
TIC-G001-21	1CT:1CT	1CT:1CT	C,T	C,T	UP	DOWN	YES	2	A	28.8 (1.118)	17.27 (0.680)	25.78 (1.015)
TIC-G002-21	1CT:1	1CT:1	A,C,T	A,C,T	UP	DOWN	YES	1	A	28.8 (1.118)	17.27 (0.680)	25.78 (1.015)
TIC-G003-21	1CT:1CT	1CT:1CT	C,T	C,T	UP	DOWN	YES	3	A	28.8 (1.118)	17.27 (0.680)	25.78 (1.015)
TIC-G004-21³	1CT:1	1CT:1CT	A,C,T	A,C,T	UP	DOWN	YES	1,5	A	28.8 (1.118)	17.27 (0.680)	25.78 (1.015)
TIC-G005-21	1CT:1	1CT:1	A,C,T	A,C,T	UP	DOWN	YES	1	A	28.8 (1.118)	17.27 (0.680)	25.78 (1.015)
TIC-G006-21	1CT:1CT	1CT:1CT	C,T,C	C,T,C	UP	DOWN	YES	6	A	28.8 (1.118)	17.27 (0.680)	25.78 (1.015)
TIC-G007-21	1CT:1	1CT:1	A,C,T	A,C,T	UP	DOWN	YES	1	B	28.8 (1.118)	17.27 (0.680)	25.78 (1.015)
TIC-G008-21	1CT:1	1CT:1	A,C,T	A,C,T	UP	DOWN	YES	1	A	28.8 (1.118)	17.27 (0.680)	25.78 (1.015)
TIC-G009-21	1CT:1	1CT:1	A,C,T	A,C,T	UP	DOWN	YES	1	A	28.8 (1.118)	17.27 (0.680)	25.78 (1.015)
TIC-G010-21	1CT:1	1CT:1	A,C,T	A,C,T	UP	DOWN	YES	1	A	28.8 (1.118)	17.27 (0.680)	25.78 (1.015)
TIC-G011-21	1CT:1	1CT:1	A,C,T	A,C,T	UP	DOWN	YES	1	A	28.8 (1.118)	17.27 (0.680)	25.78 (1.015)
TIC-G012-21	1CT:1	1CT:1	A,C,T	A,C,T	UP	DOWN	YES	1	B	28.8 (1.118)	17.27 (0.680)	25.78 (1.015)
TIC-G013-21	1CT:1	1CT:1	A,C,T	A,C,T	UP	DOWN	YES	1	A	28.8 (1.118)	17.27 (0.680)	25.78 (1.015)
TIC-G014-21	1CT:1	1CT:1	A,C,T	A,C,T	UP	DOWN	YES	1	B	28.8 (1.118)	17.27 (0.680)	25.78 (1.015)
TIC-G015-21	1CT:1	1CT:1	A,C,T	A,C,T	UP	DOWN	NO	7	C	28.8 (1.118)	17.27 (0.680)	25.78 (1.015)
TIC-G016-21	1CT:1	1CT:1	A,C,T	A,C,T	UP	DOWN	YES	1	A	28.8 (1.118)	17.27 (0.680)	25.78 (1.015)
TIC-G017-21	1CT:1	1CT:1	A,C,T	A,C,T	UP	DOWN	YES	1	B	28.8 (1.118)	17.27 (0.680)	25.78 (1.015)
TIC-G018-21	1CT:1CT	1CT:1CT	C,T	C,T	UP	DOWN	NO	4	C	28.8 (1.118)	17.27 (0.680)	25.78 (1.015)

¹ C-Choke; T-Transformer; A-Auto Transformer

² Package and Weight information modifications below

³ Contains one port of 10/100 Base-T and one port Gigabit

Package & Weight Information

QTY/Tray	QTY/Box	Weight/each(g)
TBD	TBD	TBD

TAMURA CORPORATION

43352 Business Park Drive. | P.O. Box 892230 Temecula, CA 92589-2230 | www.tamuracorp.com

USA

Tel: 800-872-6624
Fax: 909-676-9482

Japan

Tel: 81 (0)3 3978-2111
Fax: 81 (0)3 3923-0230

United Kingdom

Tel: 44 (0) 1380 731 700
Fax: 44 (0) 1380 731 702

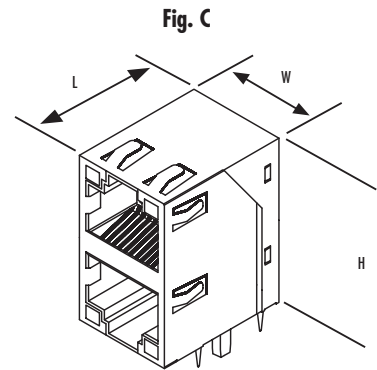
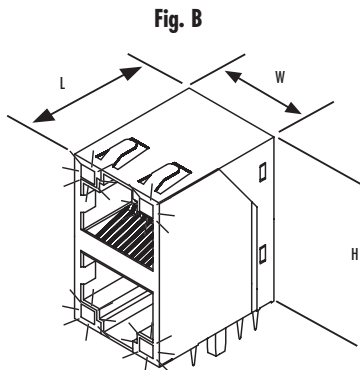
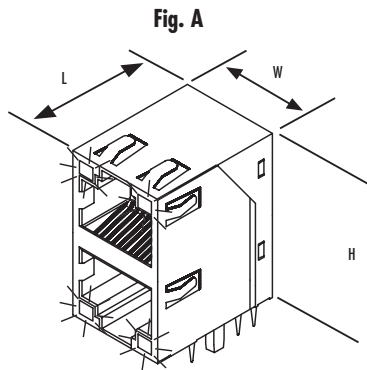
Hong Kong

Tel: 852-2389-4321
Fax: 852-2341-9689

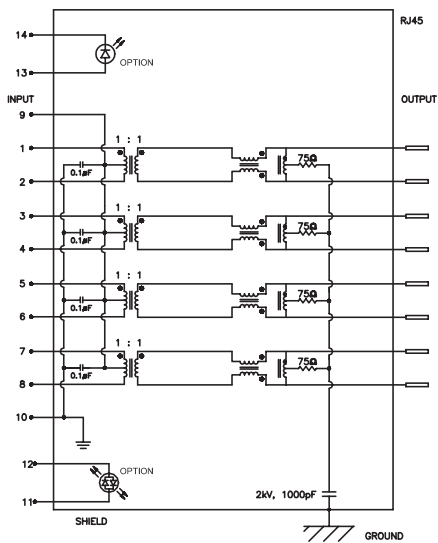
RJ45 Integrated Connector

Mechanical Dimensions

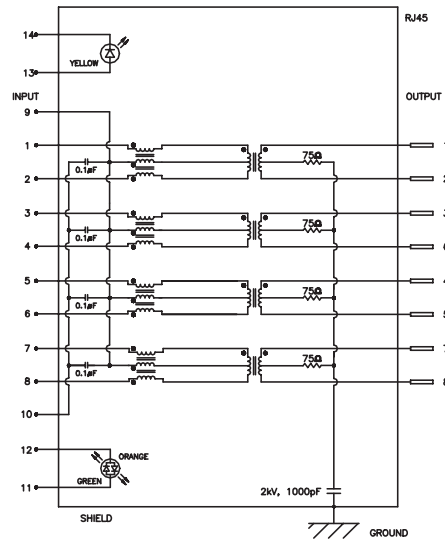
Please contact Tamura for tolerances and suggested layout information.



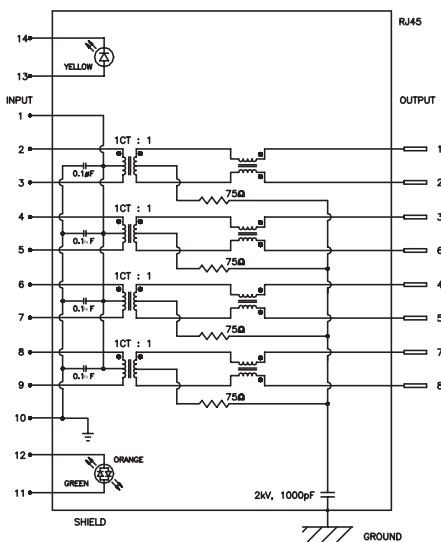
Schematics



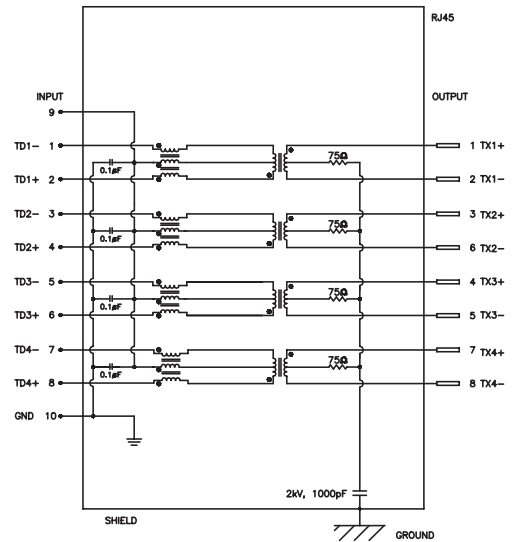
1



2



3

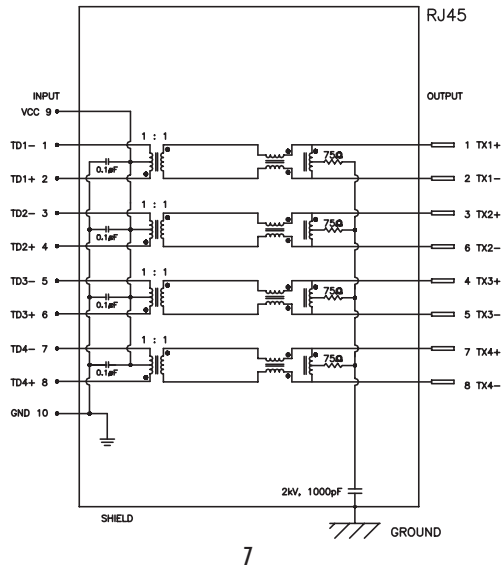
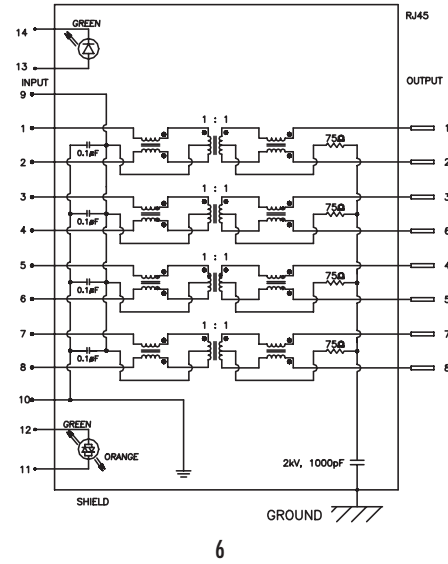
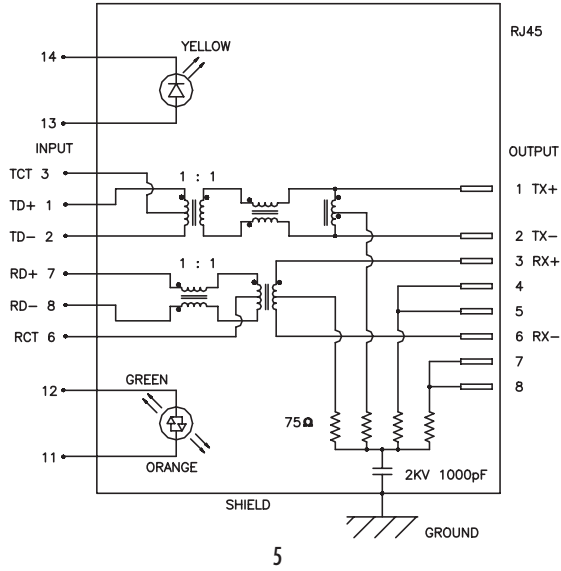


4

RJ45 Connectors

TAMURA CORPORATION

43352 Business Park Drive. | P.O. Box 892230 Temecula, CA 92589-2230 | www.tamuracorp.com
 USA | Japan | United Kingdom | Hong Kong
 Tel: 800-872-6624 | Tel: 81 (0)3 3978-2111 | Tel: 44 (0) 1380 731 700 | Tel: 852-2389-4321
 Fax: 909-676-9482 | Fax: 81 (0)3 3923-0230 | Fax: 44 (0) 1380 731 702 | Fax: 852-2341-9689



TAMURA CORPORATION

43352 Business Park Drive. | P.O. Box 892230 Temecula, CA 92589-2230 | www.tamuracorp.com

USA

Tel: 800-872-6624
Fax: 909-676-9482

Japan

Tel: 81 (0)3 3978-2111
Fax: 81 (0)3 3923-0230

United Kingdom

Tel: 44 (0) 1380 731 700
Fax: 44 (0) 1380 731 702

Hong Kong

Tel: 852-2389-4321
Fax: 852-2341-9689