

Custom Linear Power Transformers

- 120V Single Primary
- 120/240 Dual Primary
- Class B (130°C) Insulation
- 2,500Vrms Hi-Pot
- UL94V-O Flammability
- 1VA to 28kVA
- Inherently and Non-Inherently Limited Product
- UL1411 Recognized insulation systems



Low to Mid Power Linear Power Transformer Platform

TAMURA PART NUMBER SERIES	0.5	1	2	3	4	6	8	15	20	30	50	60	70	80	90	100	150	180	250	300	BOARD MOUNT/ CHASSIS MOUNT	SHIELDING	
PESB28			1.2VA - 1.6VA																			BOARD MOUNT	N
PESB35			2VA - 3VA																			BOARD MOUNT	N
PEPF(35-66)			3VA - 14.5VA																			BOARD MOUNT	N
PEE(41-66)									4.5VA - 55VA												CHASSIS MOUNT	AVAILABLE	

Note: Inherently limited versions available. Please specify.

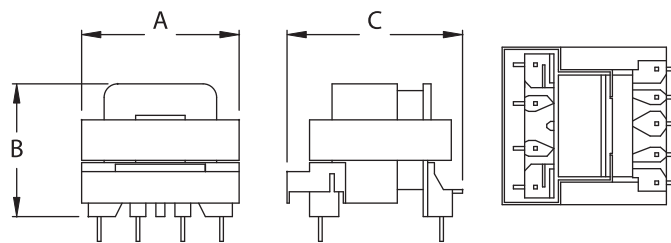
High Power Linear Power Transformer Platform

TAMURA PART NUMBER SERIES	300	500	700	1k	2k	3k	4k	5k	6k	7k	8k	9k	10k	12k	15k	20k	25k	30k	BOARD MOUNT/ CHASSIS MOUNT	SHIELDING
PEBO (150)	300VA - 1kVA																		CHASSIS MOUNT	AVAILABLE
GAT (1T-35T) ¹	850VA - 28kVA																CHASSIS MOUNT	AVAILABLE		
GAT (3.3S-11S)	2.8kVA - 8.8kVA																		CHASSIS MOUNT	AVAILABLE

¹ - Three Phase Transformers

PESB28 Dimensions and Information (mm)

TAMURA PART	TYPICAL VA	A	B	C	WEIGHT (kg) Approx	Number of Pins	
						PRI	SEC
PESB28-12	1.2	28.5	29	33	0.07	4	5
PESB28-14	1.4	28.5	31	33	0.08	4	5
PESB28-16	1.6	28.5	33	33	0.09	4	5

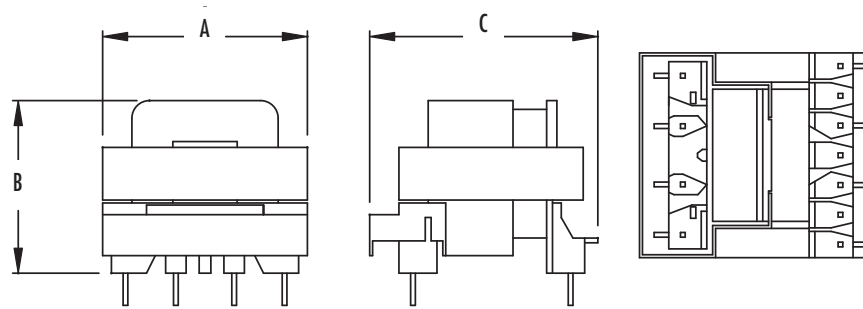


TAMURA CORPORATION

43352 Business Park Drive. | P.O. Box 892230 Temecula, CA 92589-2230 | www.tamuracorp.com
 USA | Japan | United Kingdom | Hong Kong
 Tel: 800-872-6624 | Tel: 81 (0)3 3978-2111 | Tel: 44 (0) 1380 731 700 | Tel: 852-2389-4321
 Fax: 909-676-9482 | Fax: 81 (0)3 3923-0230 | Fax: 44 (0) 1380 731 702 | Fax: 852-2341-9689

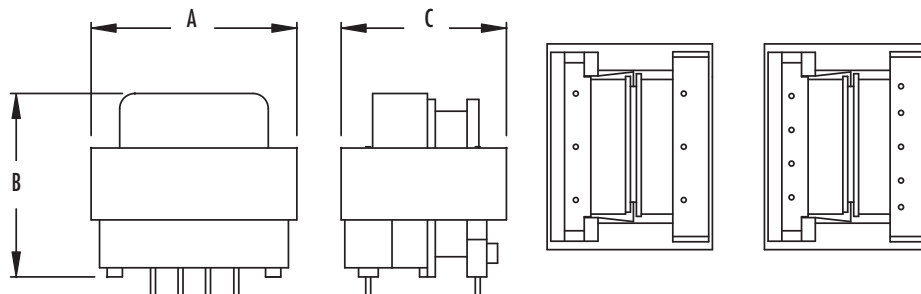
PESB35 Dimensions and Information (mm)

TAMURA PART	TYPICAL VA	A	B	C	WEIGHT (kg) Approx	Number of Pins	
						PRI	SEC
PESB35-12	2	35.5	32	35	0.10	4	7
PESB35-14	2.5	35.5	34	35	0.12	4	7
PESB35-16	3	35.5	36	35	0.14	4	7



PEPF (35-66) Dimensions and Information (mm)

TAMURA PART	TYPICAL VA	A	B	C	WEIGHT (kg) Approx	Number of Pins	
						PRI	SEC
PEPF35-20	3.5	36	41.5	30	0.17	4	3
PEPF41-14	3.5	41	37	33.5	0.15	4	5
PEPF41-16	4.5	41	39	33.5	0.20	4	5
PEPF41-21	6	34	45	33.5	0.24	4	5
PEPF41-23	6.5	34	46.5	33.5	0.27	4	5
PEPF48-13	4.5	49	29.5	40.5	0.18	5	5
PEPF48-15	7.5	42.5	35	40.5	0.25	5	5
PEPF48-18	8	46	44	40.5	0.30	5	5
PEPF48-23	10.5	38	48.5	40.5	0.36	5	7
PEPF48-28	14.5	46	54	40.5	0.46	5	7
PEPF66-10	6	55	30	55.5	0.34	5	5



TAMURA CORPORATION

43352 Business Park Drive. | P.O. Box 892230 Temecula, CA 92589-2230 | www.tamuracorp.com

USA

Tel: 800-872-6624
Fax: 909-676-9482

Japan

Tel: 81 (0)3 3978-2111
Fax: 81 (0)3 3923-0230

United Kingdom

Tel: 44 (0) 1380 731 700
Fax: 44 (0) 1380 731 702

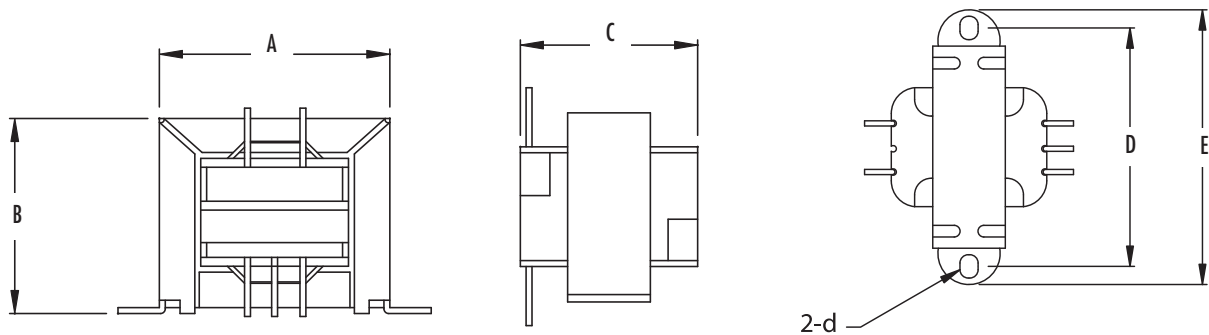
Hong Kong

Tel: 852-2389-4321
Fax: 852-2341-9689

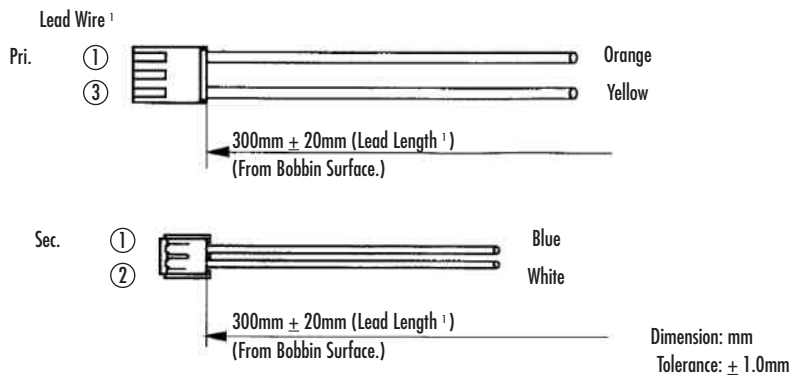
PEE (41-66) Dimensions and Information (mm)

TAMURA PART	TYPICAL VA	A	B	C (Max)	D	2-d	E	WEIGHT (kg)	Number of Connections*	
									PRI	SEC
PEE41-16.5	4.5	43.5	36	40	52	3.5_4.5	60	0.15	1	1-3
PEE41-20.5	5.5	43.5	36	44	52	3.5_4.5	60	0.2	1	1-3
PEE41-24.5	7	43.5	36	50	52	3.5_4.5	60	0.25	1	1-3
PEE48-18.5	8	50.5	43	43	59	4.5_6.5	69	0.3	1	1-3
PEE48-20	9	50.5	43	46	59	4.5_6.5	69	0.34	1	1-3
PEE48-23.5	10.5	50.5	43	50	59	4.5_6.5	69	0.37	1	1-3
PEE48-25	12.5	50.5	43	55	59	4.5_6.5	69	0.40	1	1-3
PEE54-25	16	56.5	48	54	69	4.5_6.5	80	0.59	1	1-3
PEE57-24.5	18	59.5	50.5	54	72	4.5_6.5	83	0.65	1	1-3
PEE57-30	24	59.5	50.5	62	72	4.5_6.5	83	0.70	1	1-3
PEE57-35	30	59.5	50.5	69	72	4.5_6.5	83	0.80	1	1-3
PEE60-30	25	62.5	54.5	63	75	4.5x6.5	86	0.80	1	1-3
PEE66-28	25	68.5	58.5	62	81	4.5x6.5	92	1.00	1	1-3
PEE66-36	41	68.5	58.5	72	81	4.5_6.5	92	1.10	1	1-3
PEE66-40	50	68.5	58.5	78	81	4.5x6.5	92	1.20	1	1-3
PEE66-45	55	68.5	58.5	83	81	4.5x6.5	92	1.30	1	1-3

* Wire lead with specified connector



STANDARD CONNECTOR SPECIFICATIONS



TAMURA CORPORATION

43352 Business Park Drive. | P.O. Box 892230 Temecula, CA 92589-2230 | www.tamuracorp.com

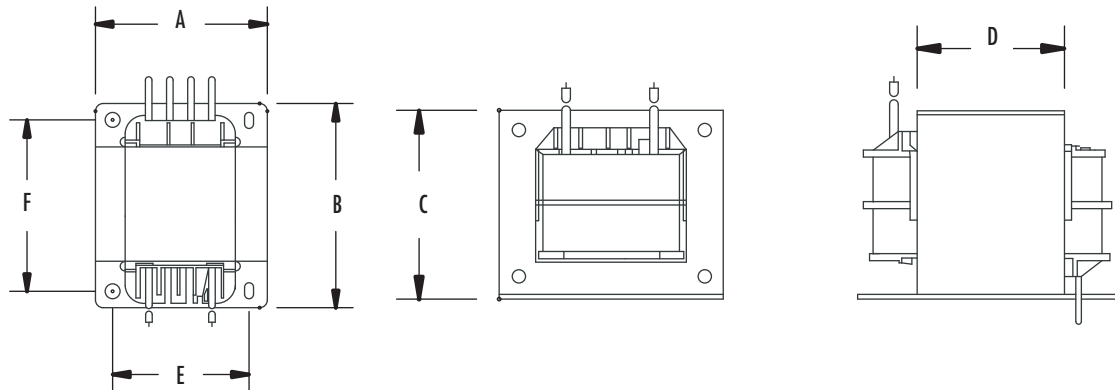
USA | Japan | United Kingdom | Hong Kong

Tel: 800-872-6624 | Tel: 81 (0)3 3978-2111 | Tel: 44 (0) 1380 731 700 | Tel: 852-2389-4321

Fax: 909-676-9482 | Fax: 81 (0)3 3923-0230 | Fax: 44 (0) 1380 731 702 | Fax: 852-2341-9689

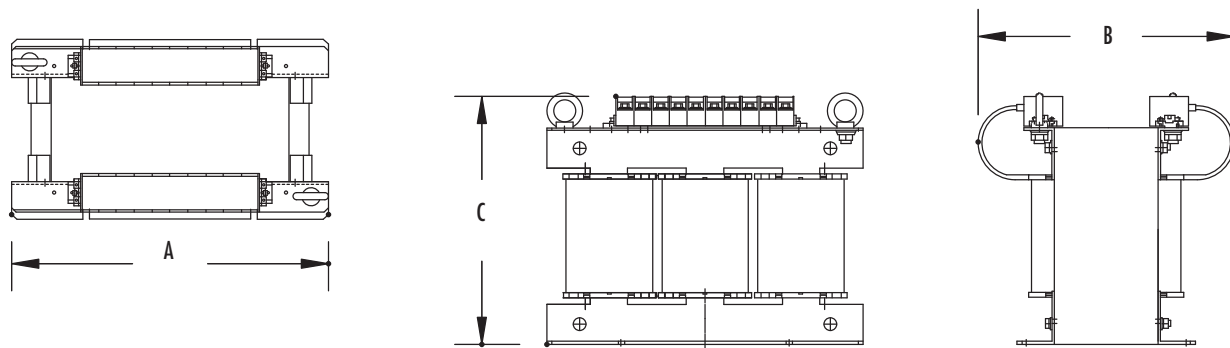
PEBO150 Dimensions and Information (mm)

Size Reference	Typical VA	A	B	C	D	E	F	Weight (kg.) approx.
PEB00150-30	300	150	100	130	30	100	75	4.5
PEB0150-50	500	150	120	130	50	100	95	7
PEB0150-70	700	150	140	130	70	100	115	10
PEB0150-100	1000	150	180	130	100	100	150	14



GAT(1T-35T) Dimensions and Information (mm)

Size Reference	Typical kVA		A	B	C	Weight (kg.) approx.
	Class B	Class H				
GAT-1T	0.85	1	240	170	208	12
GAT-3T	2.4	3	240	265	208	34
GAT-5T	4.2	5	420	205	343	45
GAT-7.5T	6	7.5	420	225	343	61
GAT-8.3T	6.6	8.3	420	230	343	70
GAT-10T	8	10	420	240	343	74
GAT-12T	9.5	12	420	265	343	98
GAT-15T	12	15	420	295	343	112
GAT-20T	16	20	550	420	430	145
GAT-25T	20	25	550	450	430	182
GAT-35T	28	35	550	500	430	260



TAMURA CORPORATION

43352 Business Park Drive. | P.O. Box 892230 Temecula, CA 92589-2230 | www.tamuracorp.com

USA

Tel: 800-872-6624
Fax: 909-676-9482

Japan

Tel: 81 (0)3 3978-2111
Fax: 81 (0)3 3923-0230

United Kingdom

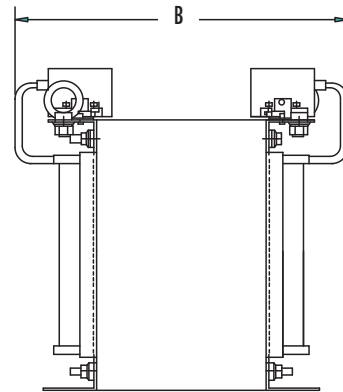
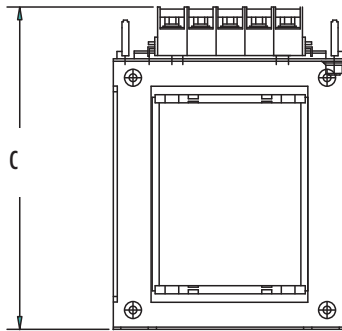
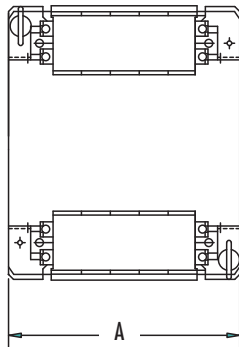
Tel: 44 (0) 1380 731 700
Fax: 44 (0) 1380 731 702

Hong Kong

Tel: 852-2389-4321
Fax: 852-2341-9689

GAT(1T-35T) Dimensions and Information (mm)

Size Reference	Typical kVA		A	B	C	Weight (kg.) approx.
	Class B	Class H				
GAT-3.3S	2.8k	3.3	196	225	280	31
GAT-5S	4	5	196	280	280	46
GAT-8S	7	8	250	300	350	75
GAT-11S	8.8	11	250	355	350	96



TAMURA CORPORATION

43352 Business Park Drive. | P.O. Box 892230 Temecula, CA 92589-2230 | www.tamuracorp.com
 USA | Japan | United Kingdom | Hong Kong
 Tel: 800-872-6624 | Tel: 81 (0)3 3978-2111 | Tel: 44 (0) 1380 731 700 | Tel: 852-2389-4321
 Fax: 909-676-9482 | Fax: 81 (0)3 3923-0230 | Fax: 44 (0) 1380 731 702 | Fax: 852-2341-9689