

# 10/100 Base-T Transformers

## Surface Mount Dual/Quad Port Transformer Modules



- Complies with IEEE 802.3 Standards
- Inductance of 350µH Min. at 8mA Bias
- Hi-Pot 1500Vrms (Pri:Sec)
- Designed to work with a variety of IC's

### Electrical Specification @ Ta=25°C

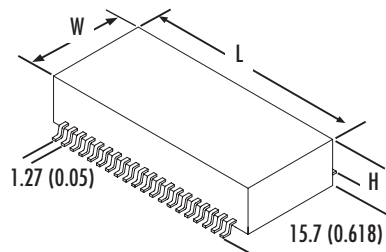
Part #	Turns Ratio		Insertion Loss (0.1-100 MHz) (dB MAX.)	Return Loss (@ 80 MHz) (dB MAX.)	Common Mode Rejection (0.1 -100 MHz) (dB MIN.)	Cross Talk (0.1 -100 MHz) (dB MIN.)	Mounting	Package Fig.	Schematic Fig.
	Tx	Rx							
<a href="#">TTC-8169<sup>1</sup></a>	1CT:1CT	1CT:1CT	-1	-12	-30	-30	SMT	A	1
<a href="#">TTC-8153</a>	1CT:1CT	1:1	-1	-12	-35	-30	SMT	A	2
<a href="#">TTC-8158</a>	1CT:1CT	1:1	-1	-12	-35	-30	SMT	A	3

<sup>1</sup> Dual Port Module

### Mechanical Dimensions mm (inches)

All dimensions are typical, please contact Tamura for tolerances and suggested layout information.

**Fig. A**



L:28.0 (1.102) W:12.2 (0.48) H:6.0 (0.236)

### TAMURA CORPORATION

43352 Business Park Drive. | P.O. Box 892230 Temecula, CA 92589-2230 | www.tamuracorp.com

USA

Tel: 800-872-6624  
Fax: 909-676-9482

Japan

Tel: 81 (0)3 3978-2111  
Fax: 81 (0)3 3923-0230

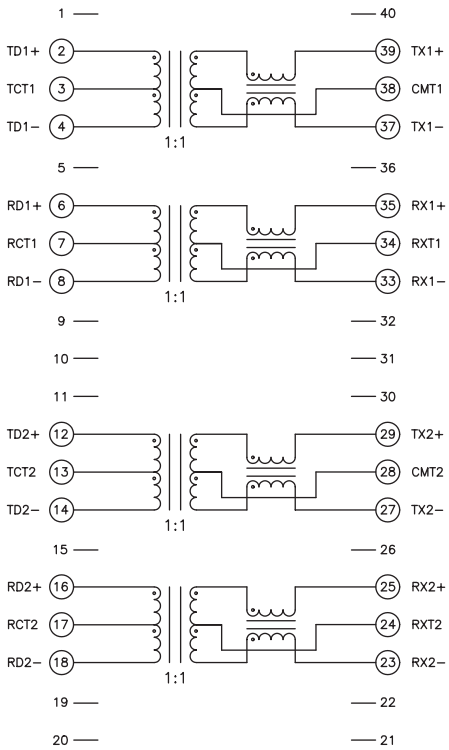
United Kingdom

Tel: 44 (0) 1380 731 700  
Fax: 44 (0) 1380 731 702

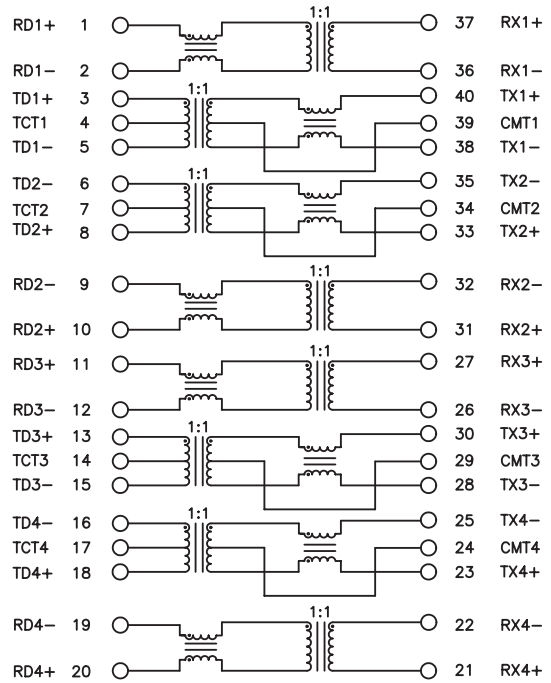
Hong Kong

Tel: 852-2389-4321  
Fax: 852-2341-9689

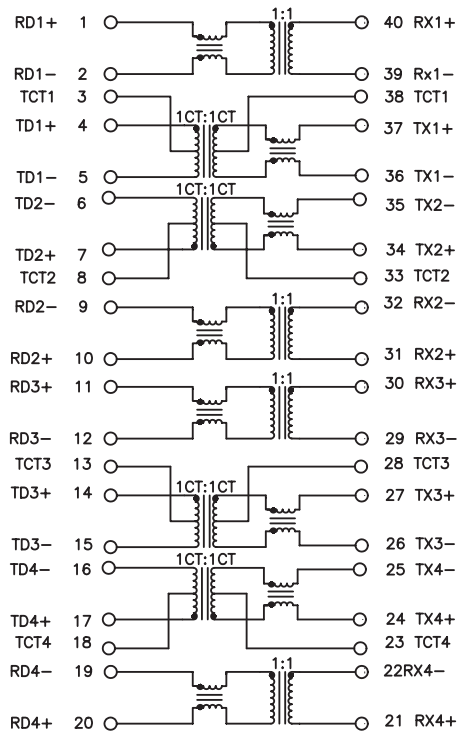
## Schematics



1



2



3

## TAMURA CORPORATION

43352 Business Park Drive. | P.O. Box 892230 Temecula, CA 92589-2230 | www.tamuracorp.com  
 USA | Japan | United Kingdom | Hong Kong  
 Tel: 800-872-6624 | Tel: 81 (0)3 3978-2111 | Tel: 44 (0) 1380 731 700 | Tel: 852-2389-4321  
 Fax: 909-676-9482 | Fax: 81 (0)3 3923-0230 | Fax: 44 (0) 1380 731 702 | Fax: 852-2341-9689