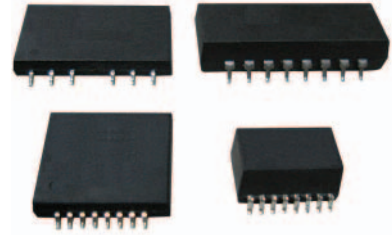


10/100 Base-T Transformers

Surface Mount Single Port Transformer Modules

- Complies with IEEE 802.3 Standards
- Inductance of 350µH Min. at 8mA Bias
- Extended Temperature Versions
- Hi-Pot 1500Vrms (Pri:Sec)
- Designed to work with a variety of IC's



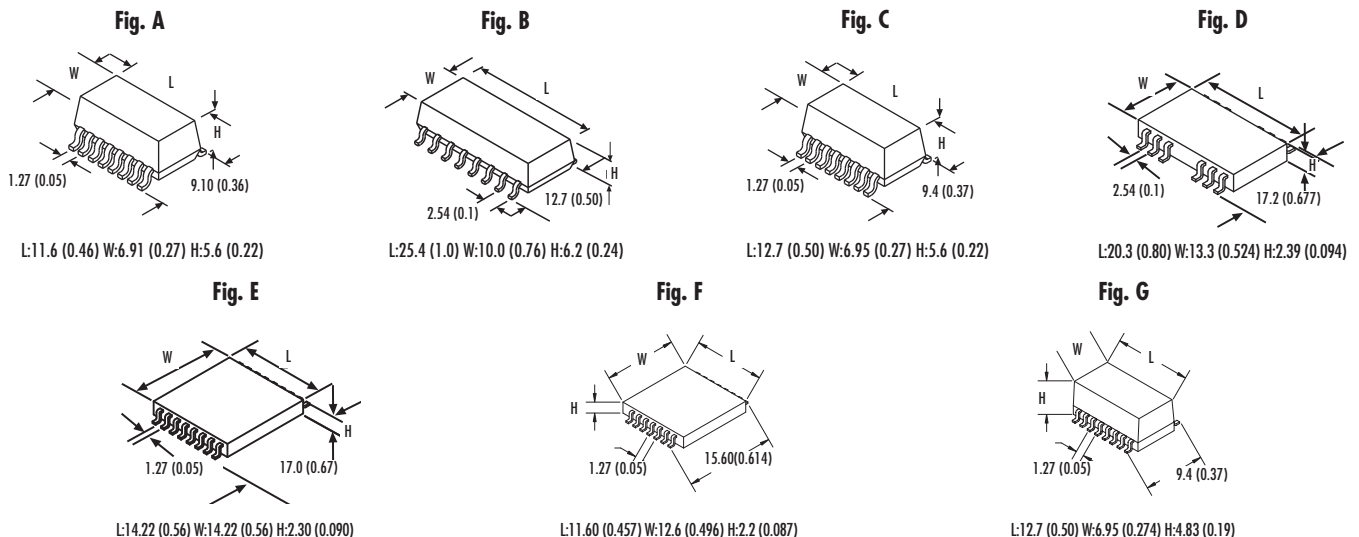
Electrical Specification @ Ta=25°C

Part #	Turns Ratio		Insertion Loss (0.1-100 MHz) (dB MAX.)	Return Loss (@ 80 MHz) (dB MAX.)	Common Mode Rejection (0.1 -100 MHz) (dB MIN.)	Cross Talk (0.1 -100 MHz) (dB MIN.)	Mounting	Package Fig.	Schematic Fig.
	Rx	Tx							
TTC-8100	1ct:1ct	1ct:1ct	-1.0	-12	-35	-35	16 Pin SOIC	A	1
TTC-8103	1ct:1ct	1ct:1ct	-1.0	-12	-35	-35	16 Pin SMD	B	3
TTC-8106	2ct:1ct	1ct:1ct	-1.1	-12	-35	-35	16 Pin SMD	B	5
TTC-8130	1ct:1ct	1ct:1ct	-1.0	-12	-35	-35	16 Pin SMD	B	4
TTC-8139	1ct:1ct	1ct:1ct	-1.0	-12	-40	-40	16 Pin SOIC	C	6
TTC-8143	1ct:1ct	1ct:1ct	-1.1	-11	-30	-35	14 Pin PCMCIA	D	7
TTC-8144	1ct:1ct	1ct:1ct	-1.1	-11	-30	-35	16 Pin PCMCIA	E	8
TTC-8146	2ct:1ct	1ct:1ct	-1.1	-12	-35	-35	16 Pin SMD	B	9
TTC-8147¹	1ct:1ct	1ct:1ct	-1.1	-12	-40	-40	16 Pin SOIC	G	2
TTC-8152¹	1ct:1ct	1ct:1ct	-1.1	-12	-35	-35	16 Pin SOIC	G	10
TTC-8161	1ct:1	1ct:1ct	-1.0	-12	-35	-35	16 Pin SMD	B	11
TTC-8168¹	1ct:1ct	1ct:1	-1.0	-12	-35	-35	16 Pin SMD	B	3
TTC-8171	1ct:1ct	1ct:1ct	-1.0	-12	-30	-35	16 Pin PCMCIA	F	12

¹ Extended Operating Temperature: -40°C to + 85°C

Mechanical Dimensions

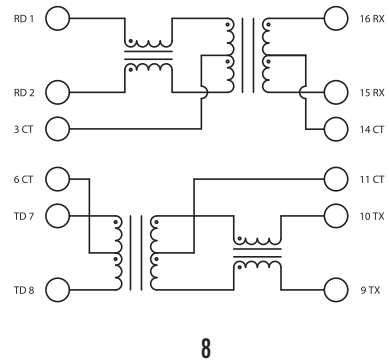
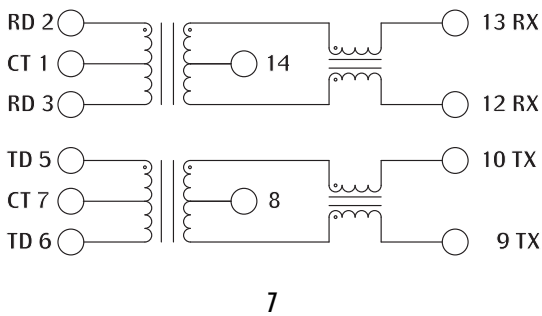
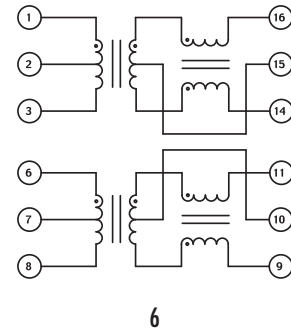
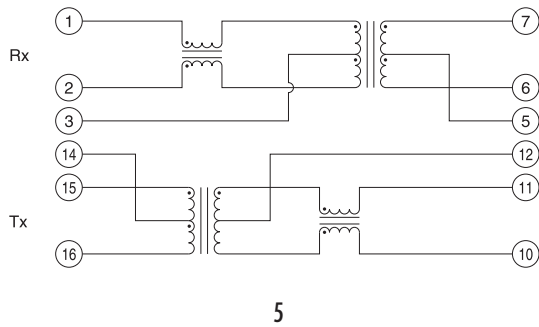
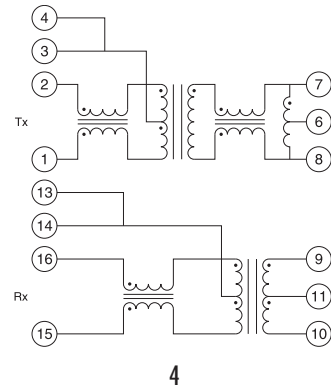
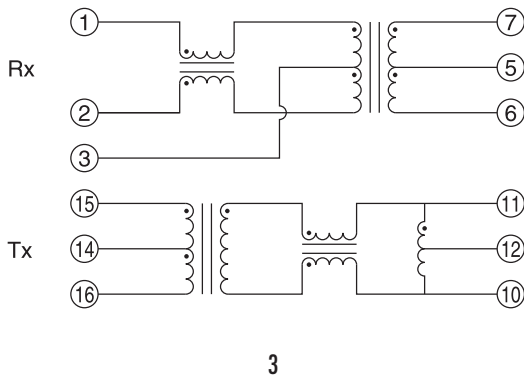
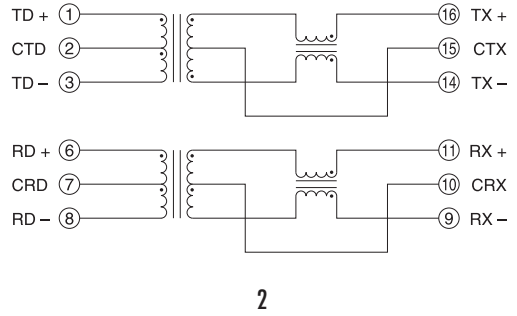
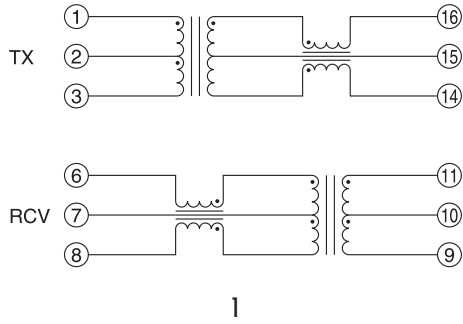
All dimensions are typical, please contact Tamura for tolerances and suggested layout information.



TAMURA CORPORATION

43352 Business Park Drive. | P.O. Box 892230 Temecula, CA 92589-2230 | www.tamuracorp.com
 USA | Japan | United Kingdom | Hong Kong
 Tel: 800-872-6624 | Tel: 81 (0)3 3978-2111 | Tel: 44 (0) 1380 731 700 | Tel: 852-2389-4321
 Fax: 909-676-9482 | Fax: 81 (0)3 3923-0230 | Fax: 44 (0) 1380 731 702 | Fax: 852-2341-9689

Schematics



TAMURA CORPORATION

43352 Business Park Drive. | P.O. Box 892230 Temecula, CA 92589-2230 | www.tamuracorp.com

USA

Tel: 800-872-6624
Fax: 909-676-9482

Japan

Tel: 81 (0)3 3978-2111
Fax: 81 (0)3 3923-0230

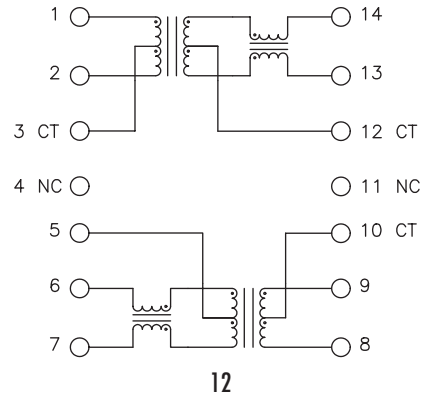
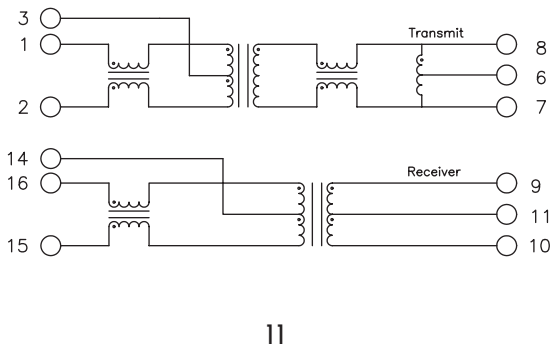
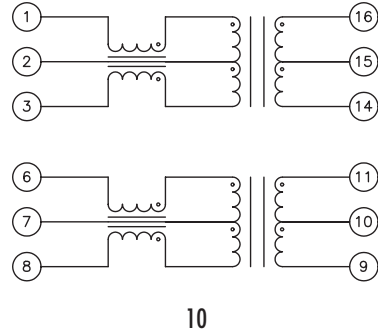
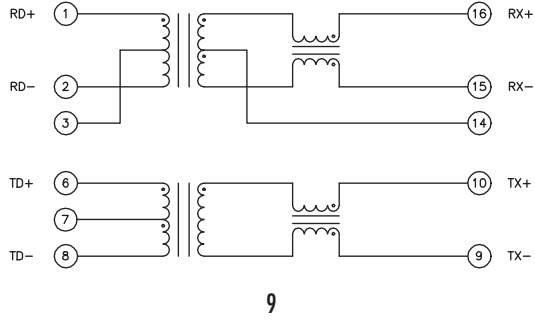
United Kingdom

Tel: 44 (0) 1380 731 700
Fax: 44 (0) 1380 731 702

Hong Kong

Tel: 852-2389-4321
Fax: 852-2341-9689

10/100 Base-T Transformers



TAMURA CORPORATION

43352 Business Park Drive. | P.O. Box 892230 Temecula, CA 92589-2230 | www.tamuracorp.com
 USA Japan United Kingdom Hong Kong
 Tel: 800-872-6624 Tel: 81 (0)3 3978-2111 Tel: 44 (0) 1380 731 700 Tel: 852-2389-4321
 Fax: 909-676-9482 Fax: 81 (0)3 3923-0230 Fax: 44 (0) 1380 731 702 Fax: 852-2341-9689