

LonWorks® Linear Wall Plug Adapters

Euro, N. America, and Japan Plugs with Control Signal Feed Through

- Approved to Appropriate Agency
- Operating Temp = 0°C to +40°C
- Inherently Limited Designs
- High Quality Robust Design

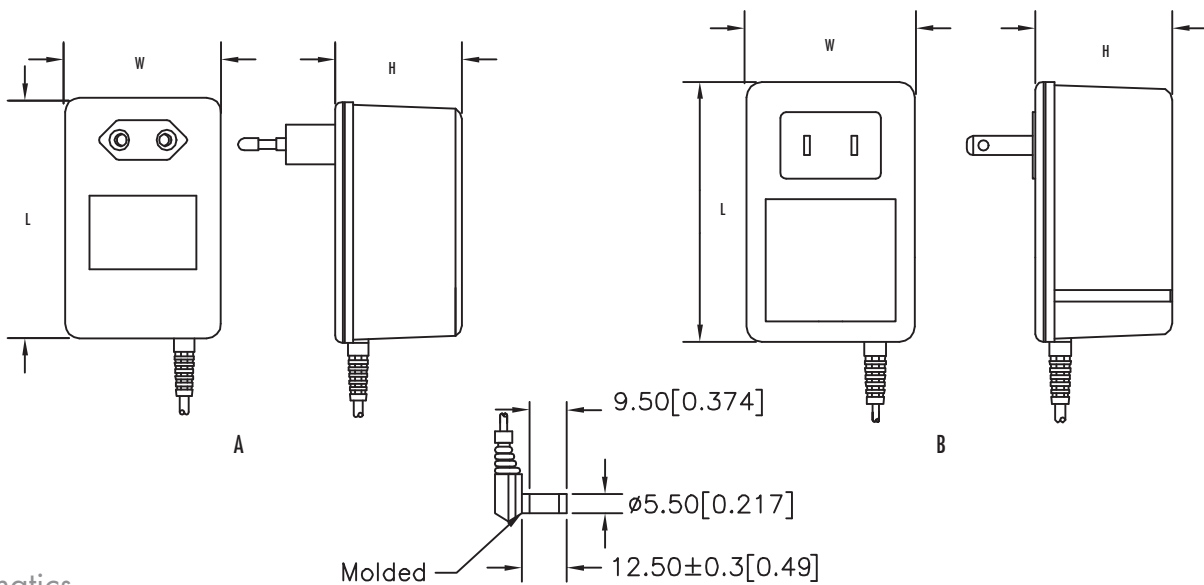


© LonWorks® is a registered trademark for Echelon Corporation

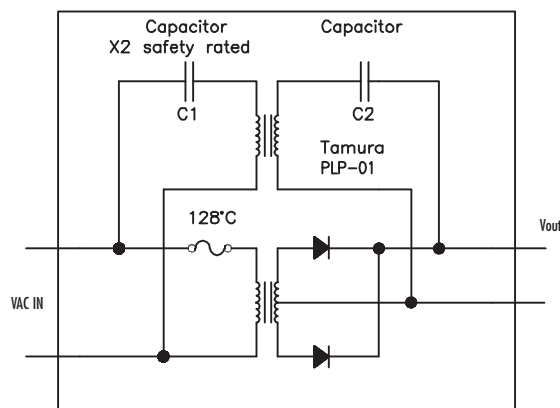
Part #	Rated Output at 100% Load		Output Type (AC/DC)	AC Input	Case and Input Plug Fig.	Dimensions		
	Volts	mA				H	W	L
420A12150P	12.5	150	DC	117V@60Hz	B	50.0 (1.969)	52.0 (2.047)	83.0 (3.268)
420F12150P	12.5	150	DC	230V@50Hz	A	46.0 (1.811)	58.0 (2.285)	88.0 (3.465)
425A12400P	12.5	400	DC	120V@60Hz	B	43.50 (1.713)	58.0 (2.285)	88.0 (3.465)
425F12400P	12.5	400	DC	230V@50/60Hz	A	46.0 (1.811)	58.0 (2.285)	88.0 (3.465)
425J12400P	12.5	400	DC	120V@50/60Hz	B	43.50 (1.713)	58.0 (2.285)	88.0 (3.465)

Mechanical Dimensions

Please contact Tamura for tolerances information.



Schematics



TAMURA CORPORATION

43352 Business Park Drive. | P.O. Box 892230 Temecula, CA 92589-2230 | www.tamuracorp.com
 USA | Japan | United Kingdom | Hong Kong
 Tel: 800-872-6624 | Tel: 81 (0)3 3978-2111 | Tel: 44 (0) 1380 731 700 | Tel: 852-2389-4321
 Fax: 909-676-9482 | Fax: 81 (0)3 3923-0230 | Fax: 44 (0) 1380 731 702 | Fax: 852-2341-9689