

High Voltage Power Supply



- High Reliability through use of Piezoelectric Transformer
- Thin Design
- Low Output Voltage warning terminal
- ON/OFF Terminal

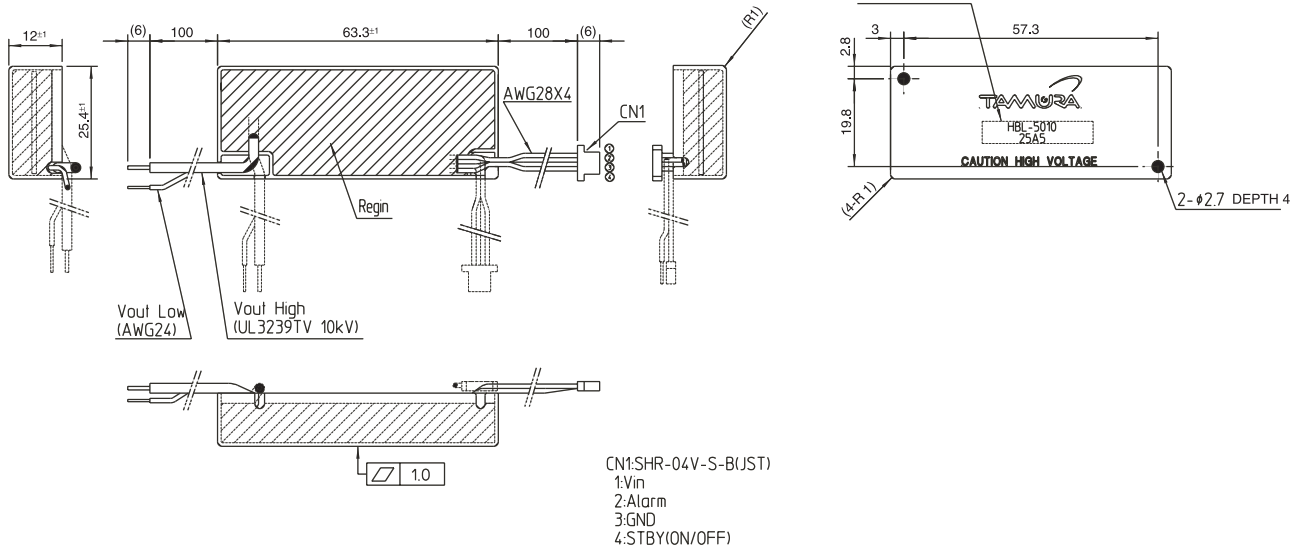
Contact Tamura for Custom Designs

Part #	Shape	Input Voltage	Output Voltage	Abnormal Output Monitor	ON/OFF Voltage	Operating Temperature Range	Preserving Temperature Range
HBL-5010	Horizontal type	DC12V±10% (Full mold type)	Output Voltage: DC -5.5kV± (Iin=100mA) The fuse for protection is not built into.	Signals will be put out if 15%(10GΩ=no load) Drooping Characteristic: -5.5kV (no load) > 2.75kV (about 5.5μ A, load)	ON:ON/OFF terminal output voltage becomes lower than about -2kV. > Low output with open drain (sink current 20mA MAX) *Connector 1 pin #2 (Open drain): accept over 4.5V	0~50°C HIGH (2.0V~Vin) OFF : ON/OFF terminal signal LOW (0~0.8V) Until Vin voltage reaches the spec voltage, it does not change ON/OFF function from LOW to HIGH	-10~60°C

Piezo Technology

Mechanical Dimensions

All dimensions are typical, please contact Tamura for tolerances and suggested layout information.



TAMURA CORPORATION

43352 Business Park Drive. | P.O. Box 892230 Temecula, CA 92589-2230 | www.tamuracorp.com

USA

Tel: 800-872-6624
Fax: 909-676-9482

Japan

Tel: 81 (0)3 3978-2111
Fax: 81 (0)3 3923-0230

United Kingdom

Tel: 44 (0) 1380 731 700
Fax: 44 (0) 1380 731 702

Hong Kong

Tel: 852-2389-4321
Fax: 852-2341-9689