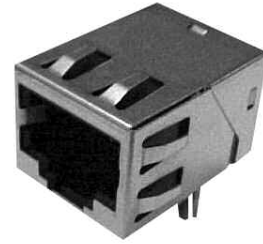


# RJ45 Integrated Connector

## 1X1 Common Mode Choke Module

- Complies with IEEE 802.3 Standards
- Operating Temp -20°C to +85°C
- HiPot 1500Vrms (pri:sec)
- Designed to reduce Radiated and Conducted EMI



All Electrical Data Specified at Ta=-20° to +85°C for all parts in this Series

OCL (μH Min) 0.1V @ 10kHz	DCR (Ω Max) Each Winding	Common Mode Attenuation (dB Typ)					
		1MHz	5MHz	20MHz	70MHz	200MHz	500MHz
65	0.5	8	17	23	25	22	11

### Product Selector

Part #	Turns Ratio (1C:LINE)		Configuration <sup>1</sup>		Latch/Tab	LED Options	Schematic Diagram	Package Style	Package Dimensions mm(inches) Typ		
	Tx	Rx	Tx	Rx					L	W	H
<a href="#">TIC-1066-11</a>	NA	NA	C	C	DOWN	NO	1	A	21.6 (0.850)	15.8 (0.625)	13.45 (0.530)
<a href="#">TIC-1068-11</a>	NA	NA	C	C	DOWN	YES	2	B	21.6 (0.850)	15.8 (0.625)	13.45 (0.530)

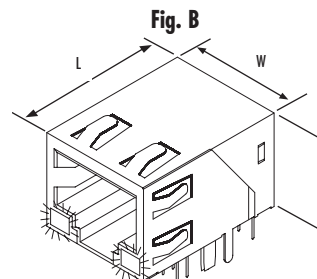
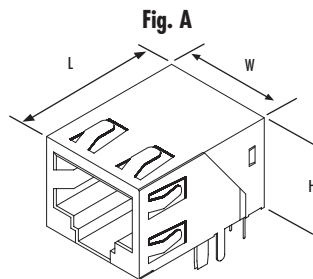
<sup>1</sup> C-Choke; T-Transformer; A-Auto Transformer

### Package & Weight Information

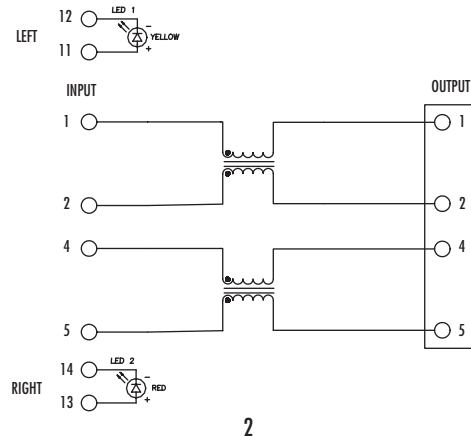
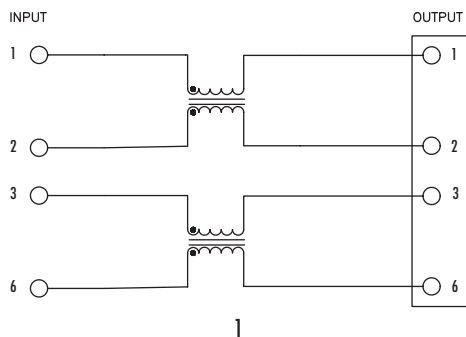
QTY/Tray	QTY/Box	QTY/Cartoon	Weight/each(g)
60	420	1680	6.3

### Mechanical Dimensions

Please contact Tamura for tolerances and suggested layout information.



### Schematics



## TAMURA CORPORATION

43352 Business Park Drive. | P.O. Box 892230 Temecula, CA 92589-2230 | www.tamuracorp.com  
 USA | Japan | United Kingdom | Hong Kong  
 Tel: 800-872-6624 | Tel: 81 (0)3 3978-2111 | Tel: 44 (0) 1380 731 700 | Tel: 852-2389-4321  
 Fax: 909-676-9482 | Fax: 81 (0)3 3923-0230 | Fax: 44 (0) 1380 731 702 | Fax: 852-2341-9689