

Power Over Ethernet Transformers

Designed for IP Phone and Auto MDIX Applications

- Complies with IEEE 802.3af and ANSI x3.263
- Inductance of 350 μ H min. at 8mA Bias
- HiPot 1500Vrms (pri:sec)
- Meets Profile requirements for IR Reflow



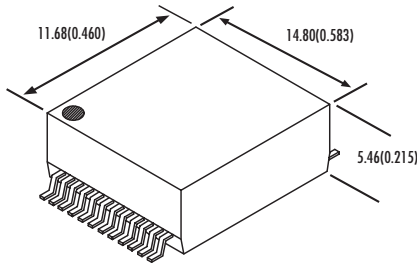
Electrical Specification @ Ta=25°C

Part #	Turns Ratio		Insertion Loss (dB Max) 0.1 - 100MHz	Return Loss (dB Min)		Differential Mode Rejection (dB Min) 30 - 100MHz	Cross Talk (dB Min) 1 - 100MHz	Package Fig.	Schematic Fig.
	Tx	Rx		1-30MHz	80MHz				
TTC-8170	1CT:1CT	1CT:1CT	-1	-16	-12	-33	-30	A	1

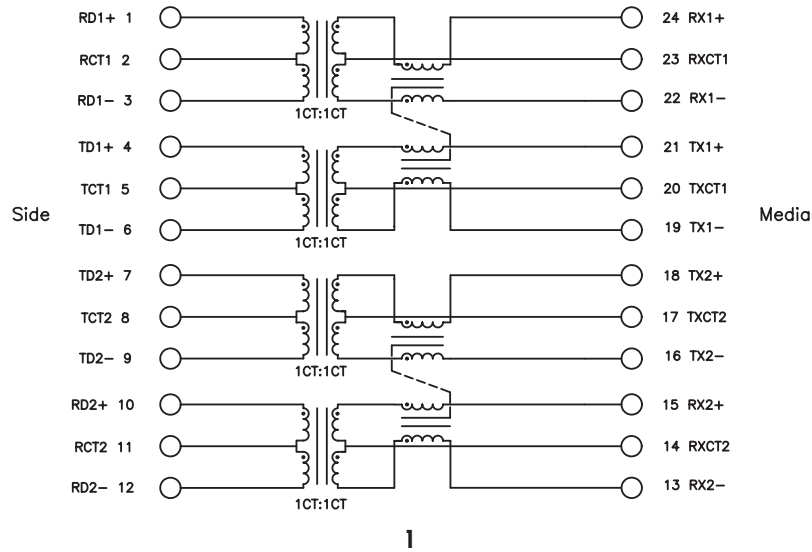
Mechanical Dimensions

All dimensions are typical, please contact Tamura for tolerances and suggested layout information.

Fig. A



Schematics



TAMURA CORPORATION

43352 Business Park Drive. | P.O. Box 892230 Temecula, CA 92589-2230 | www.tamuracorp.com

USA

Tel: 800-872-6624
Fax: 909-676-9482

Japan

Tel: 81 (0)3 3978-2111
Fax: 81 (0)3 3923-0230

United Kingdom

Tel: 44 (0) 1380 731 700
Fax: 44 (0) 1380 731 702

Hong Kong

Tel: 852-2389-4321
Fax: 852-2341-9689