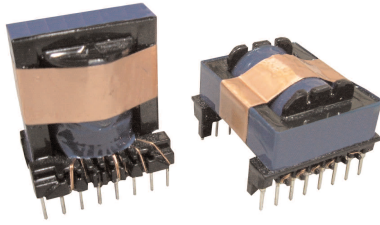


Custom Switch Mode Power Transformers



Note: Chart represents ESTIMATED power handling. Transformer packages may vary based on safety requirements, switching frequency, duty cycle, inductance requirements, and temperature rise performance. Tamura Design Staff should be contacted for complete designs on these "Tamura Preferred" low cost packages. Mechanical dimensions are typical.

Low Power Transformer Selection Guide

Power Estimated @ 130kHz Switching Frequency

TAMURA PART NUMBER SERIES	1 W	2 (W)	3 (W)	4 (W)	6 (W)	8 (W)	15 (W)	20 (W)	30 (W)	50 (W)	60 (W)	70 (W)	80 (W)	90 (W)	100 (W)	150 (W)	180 (W)	250 (W)	300 (W)	THT MOUNTING/ SMT MOUNTING	POTTED
EF12.6	1 Watts - 3 Watts																			THT	N
EF16				4 Watts - 6Watts																THT	N

Mid to High Power Transformer Selection Guide

Power Estimated in Flyback Topology @ 50kHz Switching Frequency

TAMURA PART NUMBER SERIES	1 W	2 (W)	4 (W)	6 (W)	8 (W)	12 (W)	20 (W)	30 (W)	40 (W)	50 (W)	60 (W)	80 (W)	90 (W)	100 (W)	120 (W)	190 (W)	200 (W)	300 (W)	THT MOUNTING/ SMT MOUNTING	POTTED	
EE2219				7 Watts - 11 Watts																THT	N
EK2820AT/DT							20 Watts - 30 Watts													THT	N
ER2923AT/DT							24 Watts - 36 Watts													THT	N
ER2834F/T								40 Watts - 60 Watts												THT	N
ER2828F							24 Watts - 36 Watts													THT	N
EK2929T							32 Watts - 48 Watts													THT	N
ER3541T										66 Watts - 96 Watts										THT	N
ER3944T											80 Watts - 120 Watts									THT	N
ER4045T											80 Watts to 120 Watts									THT	N
ER4245T														128 Watts - 192 Watts						THT	N
ER4954T															180 Watts - 300 Watts					THT	N

Mid to High Power Transformer Selection Guide

Power Estimated in Forward Topology @ 100kHz Switching Frequency

TAMURA PART NUMBER SERIES	1 W	2 (W)	3 (W)	4 (W)	6 (W)	8 (W)	15 (W)	20 (W)	30 (W)	50 (W)	60 (W)	70 (W)	80 (W)	90 (W)	100 (W)	150 (W)	180 (W)	250 (W)	360 (W)	THT MOUNTING/ SMT MOUNTING	POTTED	
EE2219						12 Watts to 28 Watts														THT	N	
EK2820AT/DT								32 Watts to 48 Watts													THT	N
EK2923AT/DT								40 Watts to 60 Watts													THT	N
ER2834F/T								56 Watts to 84 Watts													THT	N
ER2828F								40 Watts to 60 Watts													THT	N
ER2929T								48 Watts to 82 Watts													THT	N
ER3541T													96 Watts to 144 Watts							THT	N	
ER3944T														128 Watts to 192 Watts						THT	N	
ER4045T														128 Watts to 192 Watts						THT	N	
ER4245T														160 Watts to 240 Watts						THT	N	
ER4954T															240 Watts to 360 Watts					THT	N	

TAMURA CORPORATION

43352 Business Park Drive. | P.O. Box 892230 Temecula, CA 92589-2230 | www.tamuracorp.com

USA

Tel: 800-872-6624
Fax: 909-676-9482

Japan

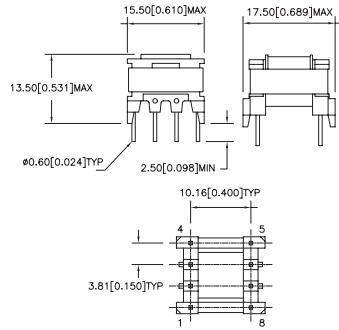
Tel: 81 (0)3 3978-2111
Fax: 81 (0)3 3923-0230

United Kingdom

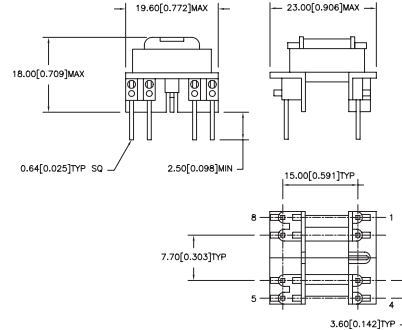
Tel: 44 (0) 1380 731 700
Fax: 44 (0) 1380 731 702

Hong Kong

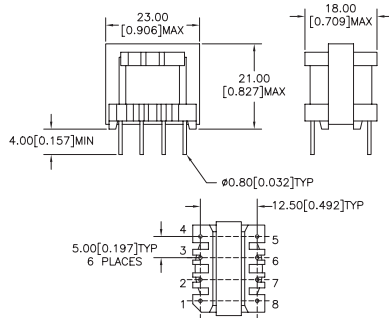
Tel: 852-2389-4321
Fax: 852-2341-9689



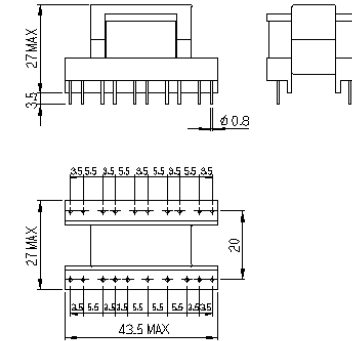
EF12.6



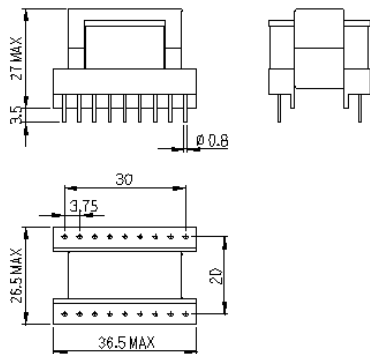
EF16



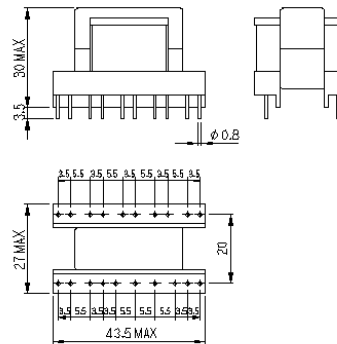
EE2219



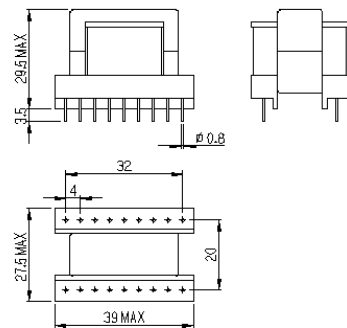
EK2820AT



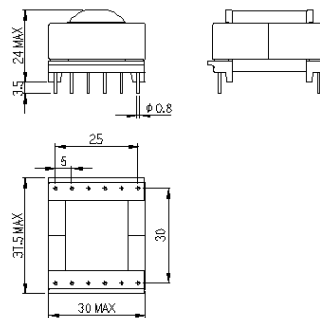
EK2820DT



EK2923AT



EK2923DT



ER2834F

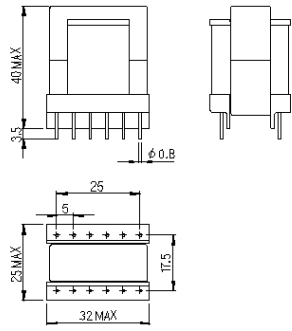
TAMURA CORPORATION

43352 Business Park Drive. | P.O. Box 892230 Temecula, CA 92589-2230 | www.tamuracorp.com

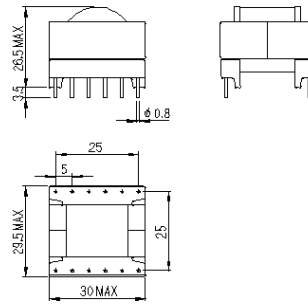
USA | Japan | United Kingdom | Hong Kong

Tel: 800-872-6624 | Tel: 81 (0)3 3978-2111 | Tel: 44 (0) 1380 731 700 | Tel: 852-2389-4321

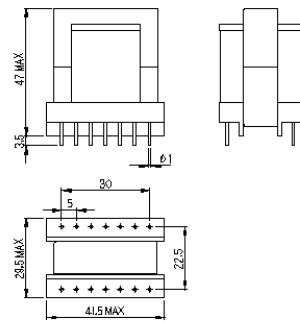
Fax: 909-676-9482 | Fax: 81 (0)3 3923-0230 | Fax: 44 (0) 1380 731 702 | Fax: 852-2341-9689



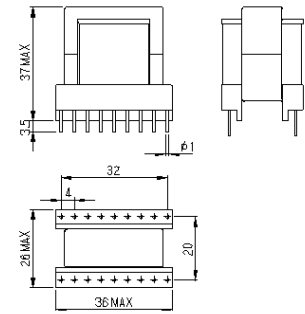
ER2834T



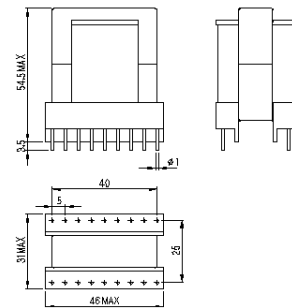
ER2828



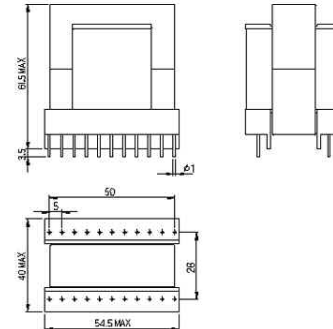
ER3541T



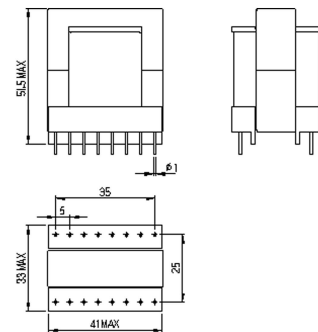
EK2929T



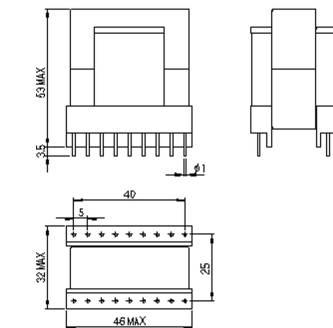
ER3944T



ER4954T



ER4045T



ER4245T

TAMURA CORPORATION

43352 Business Park Drive. | P.O. Box 892230 Temecula, CA 92589-2230 | www.tamuracorp.com
 USA | Japan | United Kingdom | Hong Kong
 Tel: 800-872-6624 | Tel: 81 (0)3 3978-2111 | Tel: 44 (0) 1380 731 700 | Tel: 852-2389-4321
 Fax: 909-676-9482 | Fax: 81 (0)3 3923-0230 | Fax: 44 (0) 1380 731 702 | Fax: 852-2341-9689